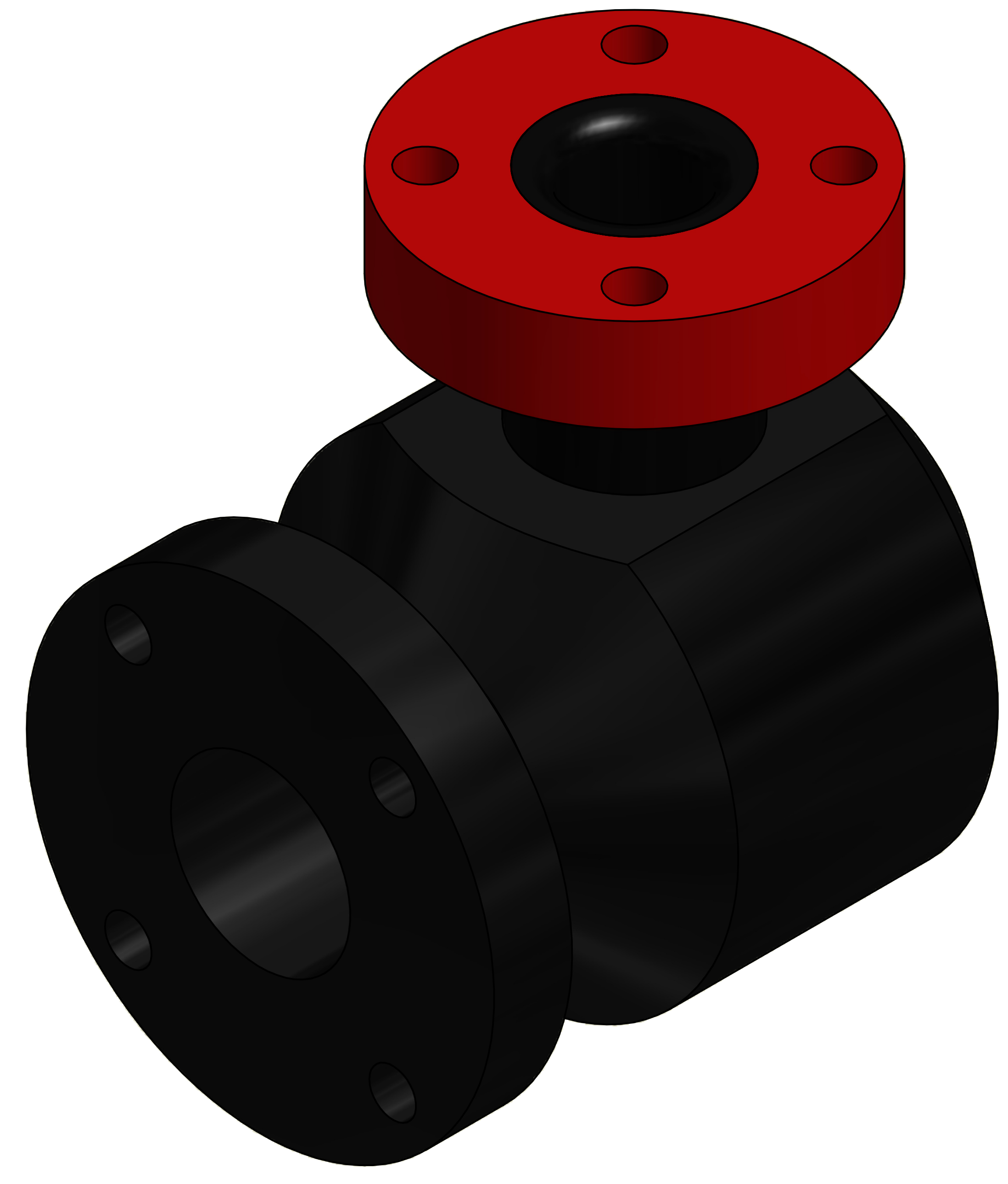
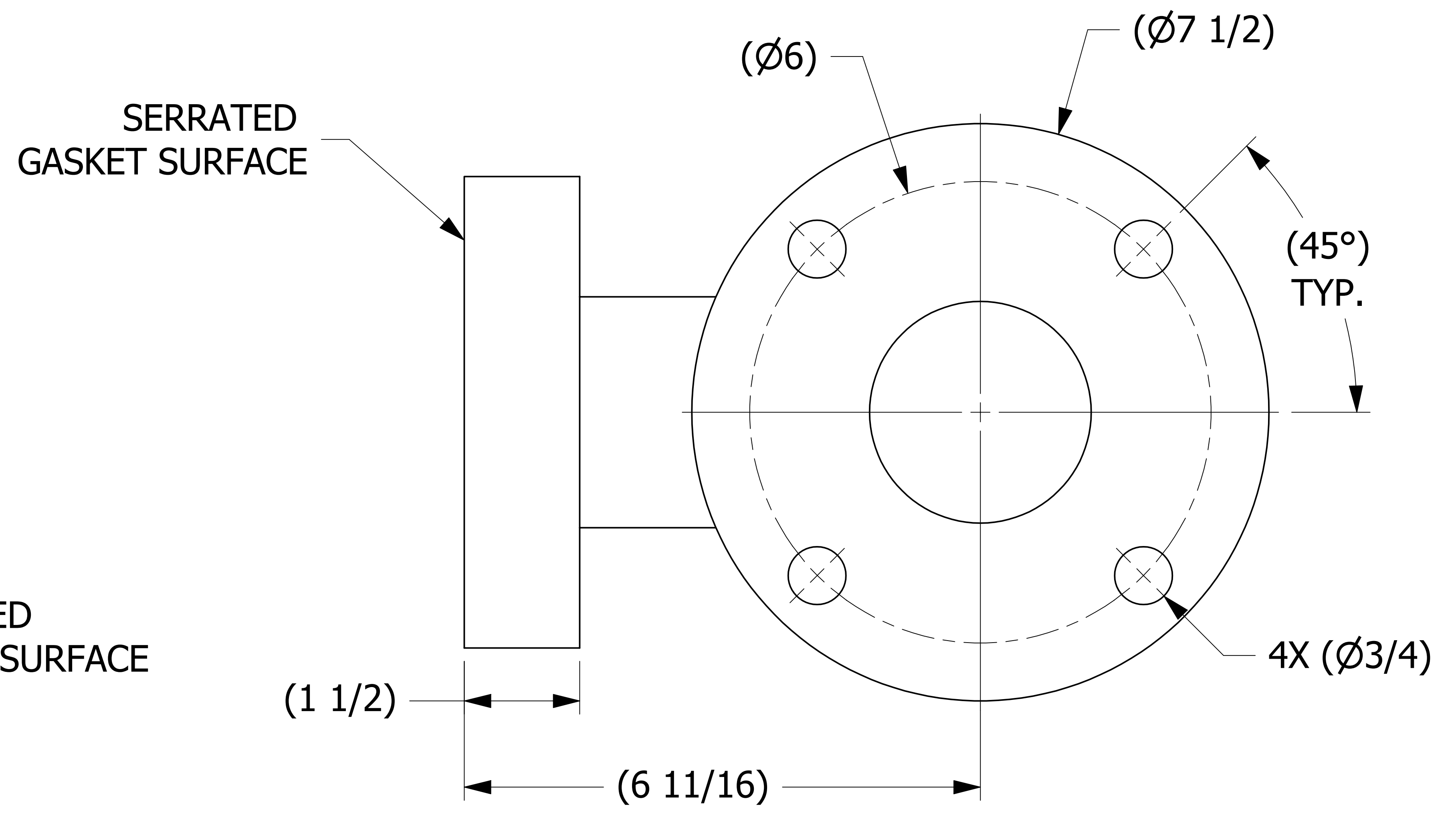
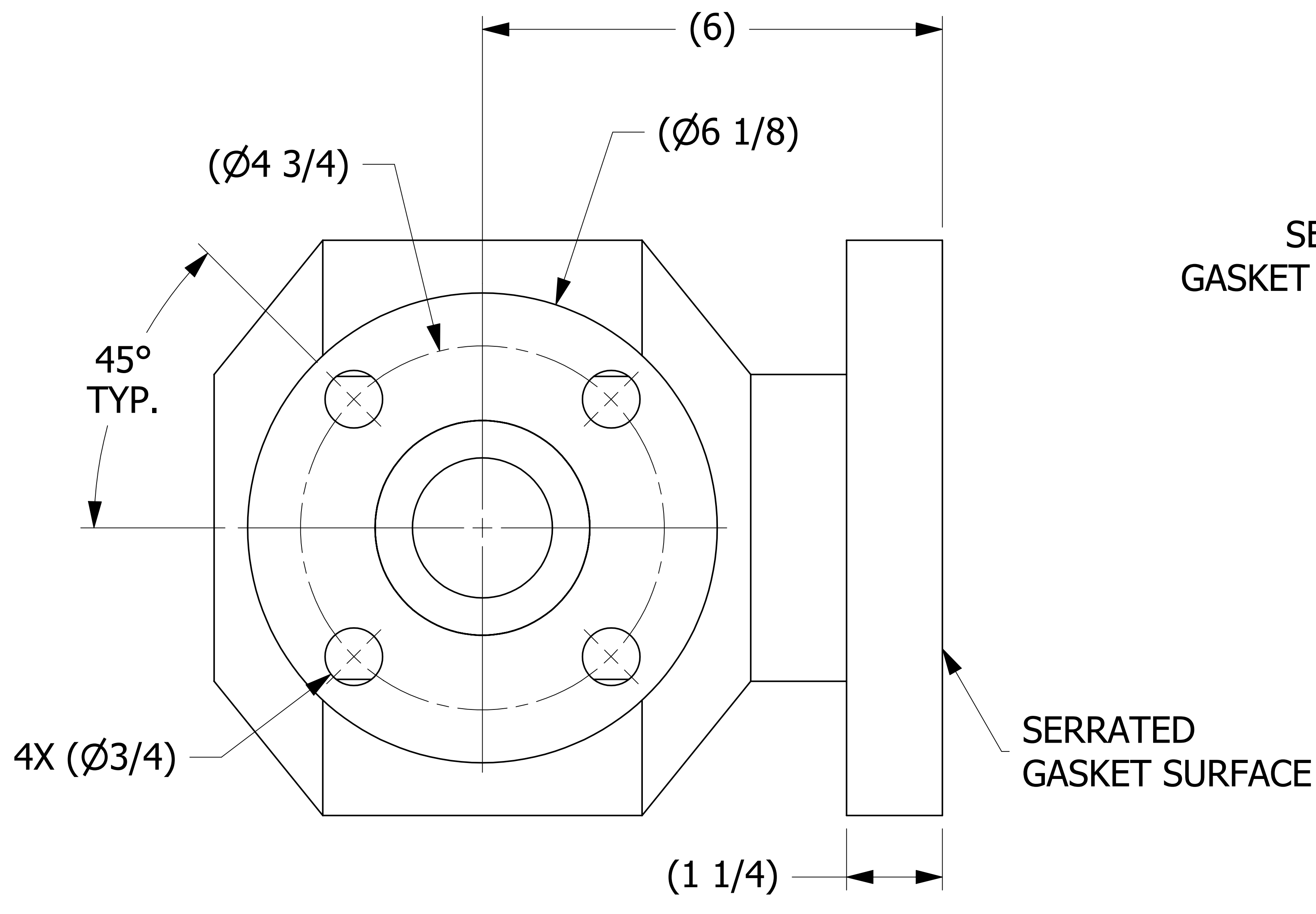


SALES DRAWING

SALES DRAWING



ISOMETRIC VIEW

B	JG	12-22-15	REPLACED A33220 W/ A42946; UPDATED NOTES
A	DGP	04-08-13	RELEASED FOR PRODUCTION
REV	BY	DATE	DESCRIPTION

UNLESS OTHERWISE SPECIFIED DIMENSIONAL TOLERANCES FRACTIONAL: ±1/16 X.XX: ±.03 X.XXX: ±.015 ANGULAR: ±1° DEBURR ALL SHARP EDGES. ALL MACHINED SURFACES TO HAVE A 125 RMS FINISH UNLESS NOTED OTHERWISE.	DRAWN BY: DGP
	CHECKED BY: WRB
	PROTOTYPE BY: DGP
	PROTOTYPE DATE: 3/21/2013
	APPROVED FOR PRODUCTION BY: DGP
THIRD ANGLE PROJECTION	PRODUCTION DATE: 4/8/2013

**SALCO PRODUCTS, INC.**

PART NAME: **PIPE ELBOW 3"X2"X90°**

MATERIAL: **SALCO PE**

PROJECT #: **031212CN** SHEET #: **1 OF 1** SCALE: **1:1**

DRAWING #: **E35793** PART #: **HS3X2X90PE5**

THIS PRINT, PROPERTY OF SALCO PRODUCTS INC. CONTAINS PROPRIETARY INFORMATION AND MUST NOT BE COPIED, REPRODUCED, OR USED DETRIMENTALLY TO OUR INTEREST.